

[Home](#) → [Spec Search](#) → [Constructi](#) → [Skid Steer Loader](#) → [Bobcat](#) → S70

BOBCAT S70 SKID STEER LOADER

[VIEW ARTICLES ON THIS ITEM](#)

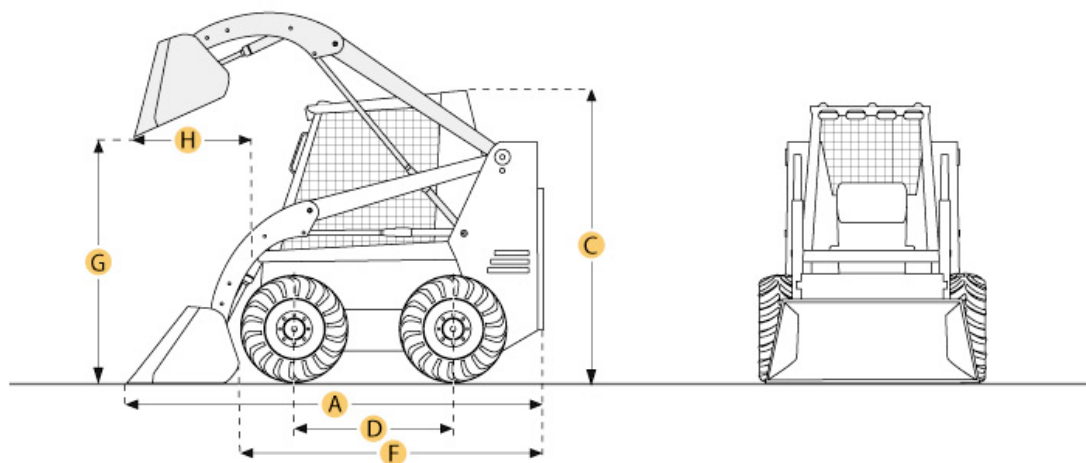
Print specification

Looking to purchase this item?

[Find a Bobcat S70 Skid Steer Loader](#) being sold at Ritchie Bros. auctions.

Need to sell equipment?

[Complete this form](#) and a Ritchie Bros. representative will contact you.



Selected Dimensions

Dimensions

A. LENGTH WITH BUCKET	8.4 ft in	2560 mm
B. WIDTH OVER TIRES	3 ft in	900 mm
C. HEIGHT TO TOP OF CAB	5.9 ft in	1813 mm
D. WHEELBASE	2.4 ft in	722 mm
E. GROUND CLEARANCE	5.7 in	146 mm
F. LENGTH W/O BUCKET	6.3 ft in	1918 mm
G. CLEARANCE AT MAX LIFT AND DUMP	6.2 ft in	1882 mm
H. REACH AT MAX LIFT AND DUMP	18 in	456 mm

Specification

Engine

MODEL	D1005-E	
GROSS POWER	23.5 hp	17.5 kw
DISPLACEMENT	61 cu in	1 L
NUMBER OF CYLINDERS	3	
ASPIRATION	Natural	

Operational

OPERATIONAL WEIGHT	2845 lb	1290.5 kg
FUEL CAPACITY	6.5 gal	24.6 L
MAX SPEED	6.1 mph	9.8 km/h
TIRE SIZE	5.7-12	

Loader

OPERATING LOAD RATING	700 lb	317.5 kg
TIPPING LOAD	1415 lb	641.8 kg

Hydraulic

PUMP FLOW CAPACITY	9.8 gal/min	37.1 L/min
--------------------	-------------	------------

Dimensions

LENGTH WITH BUCKET	8.4 ft in	2560 mm
LENGTH W/O BUCKET	6.3 ft in	1918 mm
WIDTH OVER TIRES	3 ft in	900 mm
HEIGHT TO TOP OF CAB	5.9 ft in	1813 mm
CLEARANCE AT MAX LIFT AND DUMP	6.2 ft in	1882 mm
WHEELBASE	2.4 ft in	722 mm
GROUND CLEARANCE	5.7 in	146 mm
REACH AT MAX LIFT AND DUMP	18 in	456 mm
TURNING RADIUS FROM CENTER - INC BUCKET	61.3 in	1557 mm

